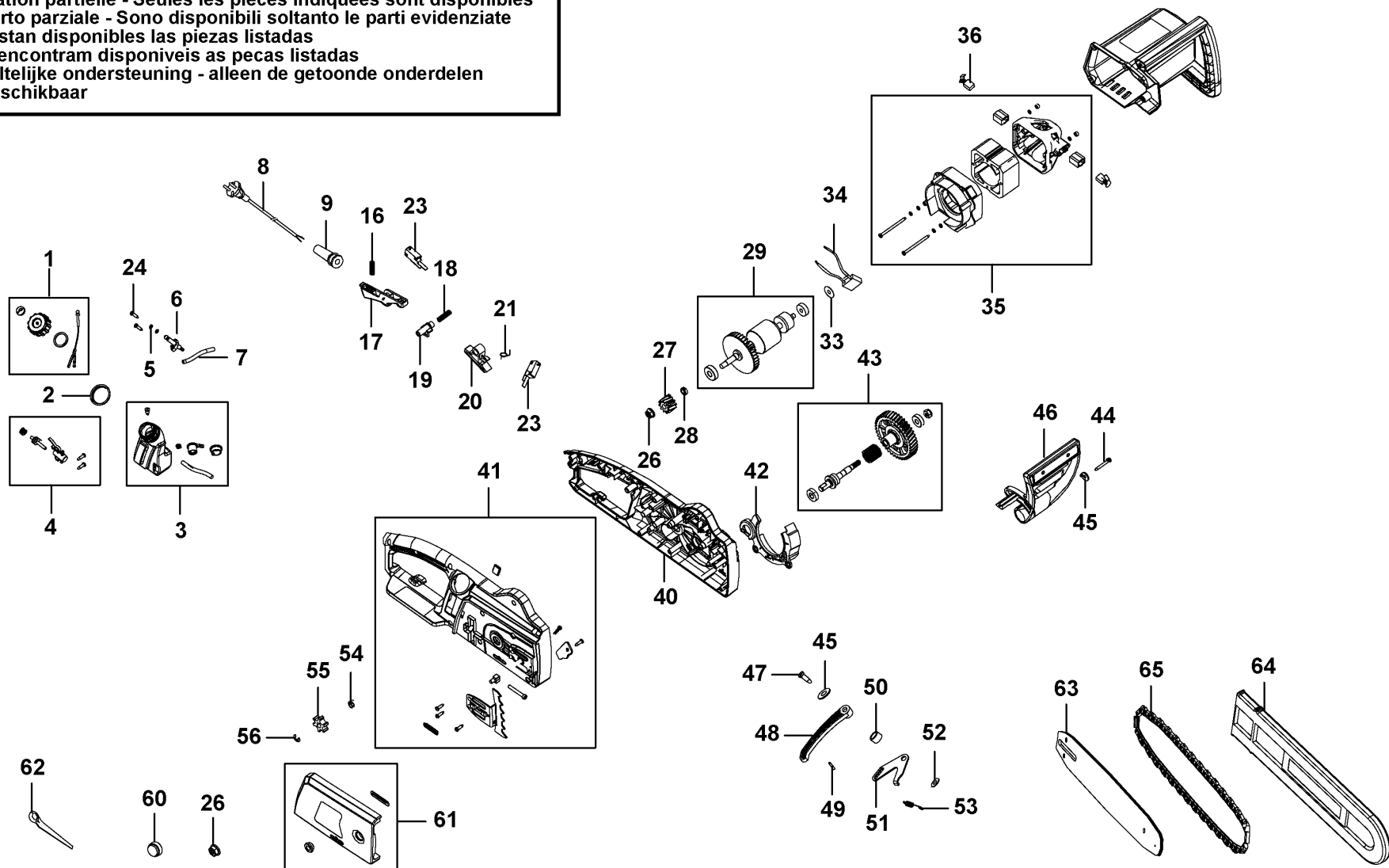


Partial support - Only parts shown available  
 Nur die aufgefuehrten teile sind lieferbar  
 Reparation partielle - Seules les pieces indiquees sont disponibles  
 Supporto parziale - Sono disponibili soltanto le parti evidenziate  
 Solo estan disponibles las piezas listadas  
 So se encontram disponibles as pecas listadas  
 Gedeeltelijke ondersteuning - alleen de getoonde onderdelen  
 zijn beschikbaar



©

## Parts List CS1835 CHAINSAW 1

| Item | Part Number | Qty | Part Description | General Description | Other Info | Repair Inst | Markets |
|------|-------------|-----|------------------|---------------------|------------|-------------|---------|
| 1    | 1004700-54  | 1   | CAP SA           |                     |            | No          |         |
| 2    | 1004698-02  | 1   | SEAL             |                     |            | No          |         |
| 3    | 1004698-03  | 1   | RESERVOIR SA     |                     |            | No          |         |
| 4    | 1004698-34  | 1   | PUMP SA          |                     |            | No          |         |
| 5    | 1004698-38  | 2   | O RING           |                     |            | No          |         |
| 6    | 1004698-39  | 1   | OUTLET           |                     |            | No          |         |
| 7    | 1004698-40  | 1   | TUBE OIL         |                     |            | No          |         |
| 8    | 1004698-04  | 1   | CORDSET (EURO)   |                     |            | No          | QS      |
| 9    | 1004698-05  | 1   | CORD PROTECTOR   |                     |            | No          |         |
| 16   | 1004698-11  | 1   | SPRING           |                     |            | No          |         |
| 17   | 1004700-55  | 1   | TRIGGER          |                     |            | No          |         |
| 18   | 1004698-13  | 1   | SPRING           |                     |            | No          |         |
| 19   | 1004698-14  | 1   | BUTTON           |                     |            | No          |         |
| 20   | 1004700-56  | 1   | CONNECTING ROD   |                     |            | No          |         |
| 21   | 1004698-16  | 1   | SPRING           |                     |            | No          |         |
| 23   | 1004698-18  | 2   | MICRO SWITCH     |                     |            | No          |         |
| 24   | 1004697-53  | 11  | SCREW            |                     |            | No          |         |
| 26   | 1004698-20  | 2   | NUT              |                     |            | No          |         |
| 27   | 1004698-21  | 1   | PINION           |                     |            | No          |         |
| 28   | 1004698-22  | 1   | BUSHING          |                     |            | No          |         |
| 29   | 1004698-24  | 1   | ARMATURE SA      |                     |            | No          |         |
| 33   | 1004698-25  | 1   | SPACER           |                     |            | No          |         |
| 34   | 1004698-26  | 1   | CAPACITOR        |                     |            | No          |         |
| 35   | 1004698-27  | 1   | FIELD SA         |                     |            | No          |         |
| 36   | 1004700-35  | 2   | BRUSH            |                     |            | No          |         |
| 40   | 1004698-23  | 1   | HOUSING LH       |                     |            | No          |         |
| 41   | 1004698-49  | 1   | HOUSING RH       |                     |            | No          |         |
| 42   | 1004700-37  | 1   | DUST GUARD       |                     |            | No          |         |
| 43   | 1004698-41  | 1   | OUTPUT SHAFT SA  |                     |            | No          |         |
| 44   | 1004698-32  | 2   | SCREW            |                     |            | No          |         |
| 45   | 1004695-08  | 2   | WASHER           |                     |            | No          |         |
| 46   | 1004700-36  | 1   | BRAKE            |                     |            | No          |         |
| 47   | 1004697-54  | 1   | SCREW            |                     |            | No          |         |

## Parts List CS1835 CHAINSAW 1

| Item | Part Number | Qty | Part Description | General Description | Other Info | Repair Inst | Markets |
|------|-------------|-----|------------------|---------------------|------------|-------------|---------|
| 48   | 1004698-48  | 1   | CONNECTING ROD   |                     |            | No          |         |
| 49   | 1004698-47  | 1   | PIN              |                     |            | No          |         |
| 50   | 1004698-46  | 1   | SLEEVE           |                     |            | No          |         |
| 51   | 1004700-38  | 1   | BRAKE            |                     |            | No          |         |
| 52   | 1004700-57  | 1   | SPACER           |                     |            | No          |         |
| 53   | 1004698-43  | 1   | SPRING           |                     |            | No          |         |
| 54   | 1004698-50  | 1   | SPRING           |                     |            | No          |         |
| 55   | 1004700-58  | 1   | SPROCKET         |                     |            | No          |         |
| 56   | 1004697-79  | 1   | RETAINER         |                     |            | No          |         |
| 60   | 1004698-55  | 1   | CAP              |                     |            | No          |         |
| 61   | 1004698-56  | 1   | END CAP SA       |                     |            | No          |         |
| 62   | 1004697-89  | 1   | WRENCH SPECIAL   |                     |            | No          |         |
| 63   | 1004698-57  | 1   | BAR CHAIN 35CM   |                     |            | No          |         |
| 64   | 1004698-59  | 1   | SHEATH           |                     |            | No          |         |
| 65   | 1004698-58  | 1   | CHAIN            | 350mm               |            | No          |         |